

F16T-PX-Plus

- outdoor HMI can be operated in any climate and weather
- operating temperature -40 to +70°C
- system monitor:
Safety before starting and during operation thanks to dew point monitor and heating
Protection against overheating, Protection against condensation damage
- adjustable sun hood with anti-glare protection

Outdoor Touch Panel

The slim and **robust** touch panel F16T-PX-Plus is fully enclosed and prepared for mounting arm installation. The continuous glass front in a material mix with anodized aluminum offers reliable protection in industrial use.

System monitor

The outdoor touch panel is perfectly equipped for any temperature or environment. A specially developed safety

system consisting of sensors, such as the active dew point monitor, and heating enable safe operation even at 100% condensing humidity and from -40 to +70°C. Already at the start it is checked whether the climatic conditions allow a safe start and operation. **Successfully tested according to DIN 75220.**

Even in extremely hot regions - even in direct sunlight - the excess temperature monitoring and the folding and tilting sun protection hood ensure maximum operational safety.

A status LED with operating status display is integrated behind the glass at the front.

Thanks to the Android operating system, the touch panels are the ideal basis for your web-based application as HMI or for visualization.



18.09.02024

Ludwig-Rinn-Straße 10-14 • D-35452 Heuchelheim/Gießen Germany

Phone: +49 (0) 641-96284-0 • Fax: +49 (0) 641-96284-28 • info@tci.de • www.tci.de



connecting people with technology

Technical data

- touch panel for mounting arm
- 15.6" LED-TFT, HD 1366*768, 400 cd/m²
- capacitive multitouch (PCT)
- material mix with anodized aluminum
- fanless
- protection class IP65 all around
- IP69K protected connection fields for USB, LAN and power supply (M12)
- individual technical equipment on request
- UL certified
- working temperature: -40 up to +70°C
- storage temperature: -40 up to +70°C
- relative humidity: 0 up to 100%
- power supply: 24 VDC

18.09.02024

Ludwig-Rinn-Straße 10-14 • D-35452 Heuchelheim/Gießen Germany

Phone: +49 (0) 641-96284-0 • Fax: +49 (0) 641-96284-28 • info@tci.de • www.tci.de



connecting people with technology

Order info

F16T-PX-Plus (UL Certified)	Android-Panel, Embedded CPU Board, Rockchip PX30 Quad-Core CPU 1.5 GHz, 2GB DDR3 SDRAM, 8GB eMMC storage, Status-LED, housing hood VESA75, IP protected connections with protective caps 1x RJ45 und 1x USB-A, heating and dew point monitor for outdoor use, Android 9 (Pie)
Options	Cable protection for LAN cables with RJ45 connectors for crimping, AutomationBrowser App for Android and MicroBrowser APP for Android, tci WebWizard
Customized	For other configurations please ask our system consultants
Operating systems	Android, Linux

18.09.02024

Ludwig-Rinn-Straße 10-14 • D-35452 Heuchelheim/Gießen Germany

Phone: +49 (0) 641-96284-0 • Fax: +49 (0) 641-96284-28 • info@tci.de • www.tci.de



connecting people with technology

Details



F16T with sun protection hood

18.09.2024

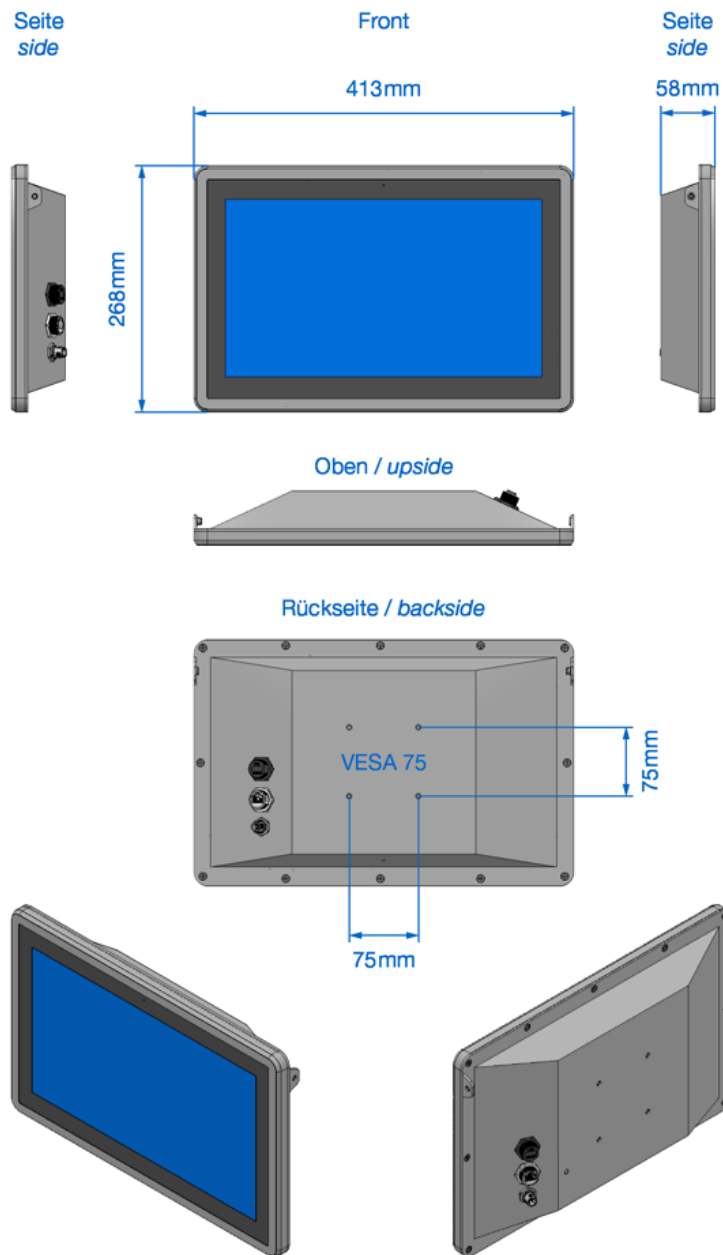
Ludwig-Rinn-Straße 10-14 • D-35452 Heuchelheim/Gießen Germany

Phone: +49 (0) 641-96284-0 • Fax: +49 (0) 641-96284-28 • info@tci.de • www.tci.de



connecting people with technology

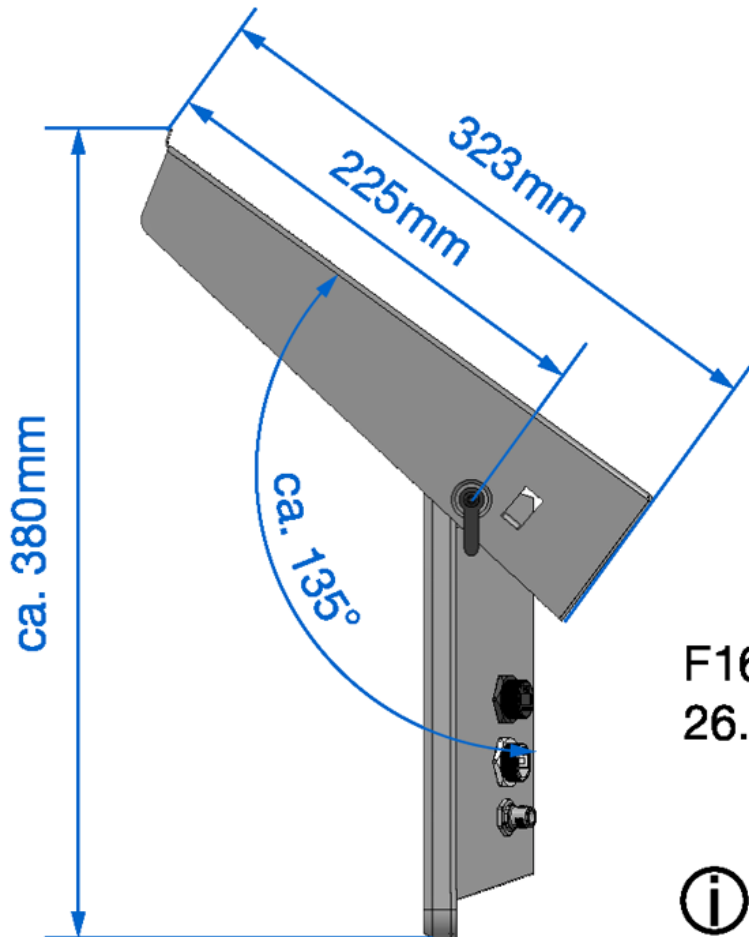
Technical Drawing



F16T
26.03.2021, Rev.: 1.0

 Alle Angaben in Millimeter
All dimensions in millimeter

Seitenansicht mit Sonnenblende
side view with sun visor



F16T
26.03.2021, Rev.: 1.0

 Alle Angaben in Millimeter
All dimensions in millimeter

18.09.02024

Ludwig-Rinn-Straße 10-14 • D-35452 Heuchelheim/Gießen Germany

Phone: +49 (0) 641-96284-0 • Fax: +49 (0) 641-96284-28 • info@tci.de • www.tci.de



connecting people with technology

Subject to change of design, construction and technical data without prior notice. Delivery possibilities, changes and errors excepted. Definitions of the performance data can be found at our homepage. All brand or product names are trademarks and/or registered trademarks of their respective owners. Unless expressly permitted, the rights are reserved. The screenshots in this document are simulated. The visualization software is not part of the system.

18.09.02024

Ludwig-Rinn-Straße 10-14 • D-35452 Heuchelheim/Gießen Germany

Phone: +49 (0) 641-96284-0 • Fax: +49 (0) 641-96284-28 • info@tci.de • www.tci.de



connecting people with technology