



pureKNX-Base7

- complete system with finished visualization
- can be configured via ETS
- brightness and temperature sensor

You can start **cost-effectively** into the world of building automation with pureKNX-Base. This all-in-one system offers a **complete visualization**, which can be protected via ETS. So there is no programming cost. Beside the KNX-TP interface there is also a **brightness and temperature sensor** and a LAN-interface. The resistive touch is reliable in operation and is very robust. The front frame is available in **different materials and colours** and therefore suits to every living space. An in-wall housing is integrated.

18.09.02024

Ludwig-Rinn-Straße 10-14 • D-35452 Heuchelheim/Gießen Germany

Phone: +49 (0) 641-96284-0 • Fax: +49 (0) 641-96284-28 • info@tci.de • www.tci.de



connecting people with technology

Technical data

- 7" resistive touch, 800x480
- silver plastic front
- with [pureKNX software](#)
- ethernet 10/100
- PoE
- working temperature: 0 up to 50°C
- storage temperature: -20 up to 70°C
- relative humidity:
- operation 10 to 80%, not condensing
- storage / transportation 10 to 90%, not condensing
- Power input: 24 VDC and PoE
IEEE Std 802.3af (Class 0)
- Power consumption: 5W

see [source code](#)

18.09.02024

Ludwig-Rinn-Straße 10-14 • D-35452 Heuchelheim/Gießen Germany

Phone: +49 (0) 641-96284-0 • Fax: +49 (0) 641-96284-28 • info@tci.de • www.tci.de



connecting people with technology

Order info

pureKNX-Base7	7" resistive touch, 800x480, silver plastic front, with pureKNX server software , KNX interface, ethernet 10/100, PoE, UPG (Built-in box)
Additional equipment	
Front	Front-PRM-ALU - Aluminum front anodized in black or silver
NT-HUT-24VDC-100W	External top hat rail power supply, primary 85-264VAC, secondary 24 VDC, 100W, 4DU

18.09.02024

Ludwig-Rinn-Straße 10-14 • D-35452 Heuchelheim/Gießen Germany

Phone: +49 (0) 641-96284-0 • Fax: +49 (0) 641-96284-28 • info@tci.de • www.tci.de

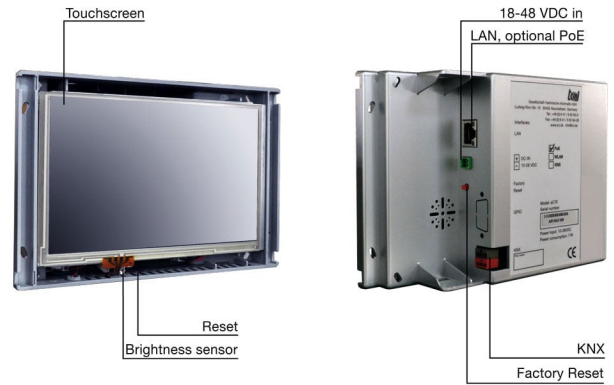


connecting people with technology

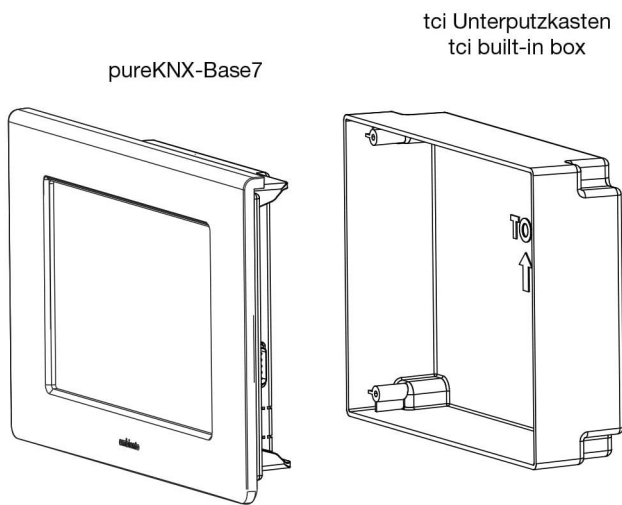
Details



pureKNX-Base7 in full operation mode



Installation



In the wall in tci flush-mounted box



Design pureKNX-Base7 is seamlessly integrated into your interior design. This is made possible by the design combinations including various colours and materials for the fronts

18.09.2024

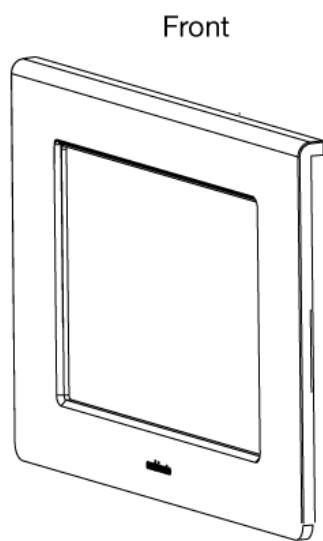
Ludwig-Rinn-Straße 10-14 • D-35452 Heuchelheim/Gießen Germany

Phone: +49 (0) 641-96284-0 • Fax: +49 (0) 641-96284-28 • info@tci.de • www.tci.de

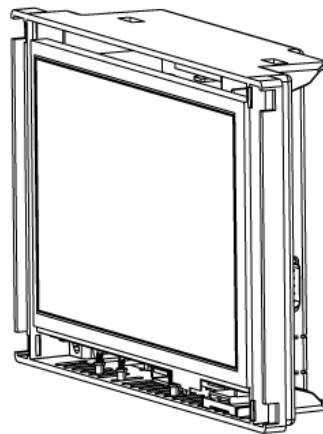


connecting people with technology

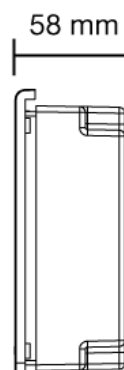
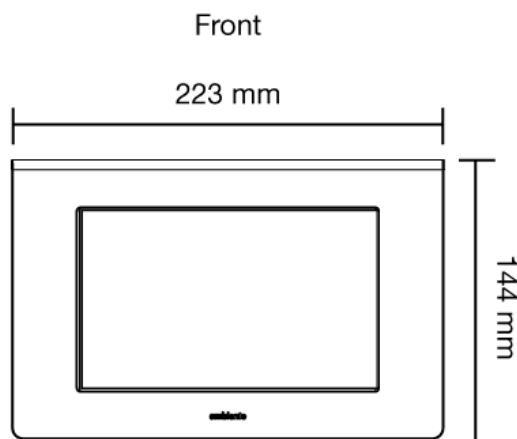
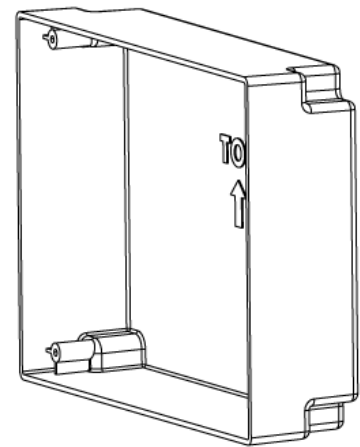
Technical Drawing




pureKNX-Base7



Unterputzkasten
built-in box

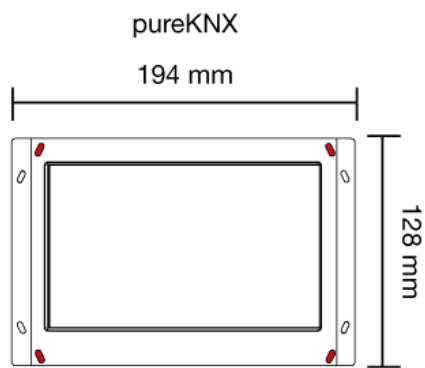


EBT: 45 mm

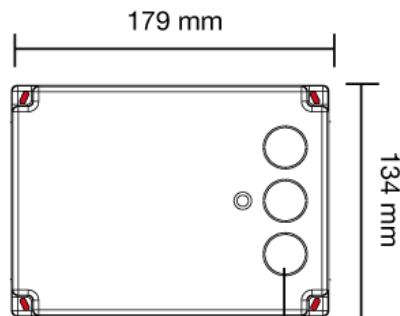
 Alle Angaben in Millimeter
All dimensions in millimeter

amena7/pureKNX-Base7
Rev.: 1.0 | 10.01.2019

Montage mit Unterputzgehäuse
Mounting with built-in box

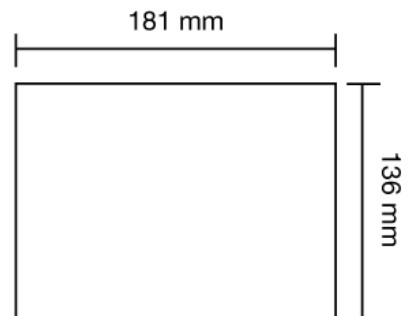


Unterputzgehäuse
built-in box

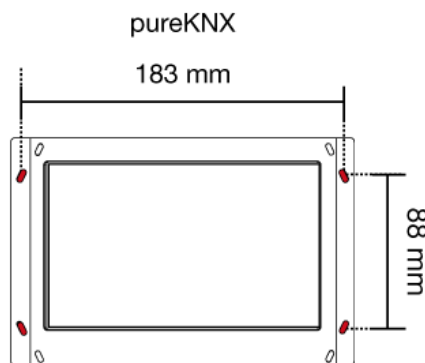


Kabelzuführung
cable entry

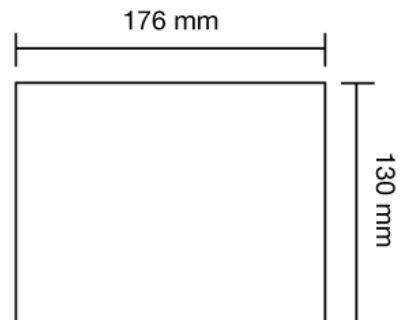
Ausschnitt
Cutout




Montage ohne Unterputzgehäuse
Mounting without built-in box



Ausschnitt
Cutout



 Alle Angaben in Millimeter
All dimensions in millimeter

Montage/Mouiting amena7/pureKNX-Base7
Rev.: 1.0 | 10.01.2019

18.09.02024

Ludwig-Rinn-Straße 10-14 • D-35452 Heuchelheim/Gießen Germany

Phone: +49 (0) 641-96284-0 • Fax: +49 (0) 641-96284-28 • info@tci.de • www.tci.de



connecting people with technology

Subject to change of design, construction and technical data without prior notice. Delivery possibilities, changes and errors excepted. Definitions of the performance data can be found at our homepage. All brand or product names are trademarks and/or registered trademarks of their respective owners. Unless expressly permitted, the rights are reserved. The screenshots in this document are simulated. The visualization software is not part of the system.

18.09.02024

Ludwig-Rinn-Straße 10-14 • D-35452 Heuchelheim/Gießen Germany

Phone: +49 (0) 641-96284-0 • Fax: +49 (0) 641-96284-28 • info@tci.de • www.tci.de



connecting people with technology