



Touch-Panel A15



Touch Panel A15

- compact and rugged design
- resistive touch with classic 4:3 aspect ratio
- optionally with integrated keyboard and touchpad in IP65

The A15 touch panel is designed for panel mounting and is in accordance of the protection class IP65. Rugged design and low installation depth of chassis, high brightness and a high reading angle are the advantages by industrial using. The A15 can be used as TFT display and as panel PC.

22.07.02024

Ludwig-Rinn-Straße 10-14 • D-35452 Heuchelheim/Gießen Germany

Phone: +49 (0) 641-96284-0 • Fax: +49 (0) 641-96284-28 • info@tci.de • www.tci.de



connecting people with technology

A15-LX (Windows, Linux Panel-PC)

The A15-LX can be used as powerful and fanless embedded panel PC in production areas. Additional to this, the system is available with keyboard and touchpad.

A15-DITX (Windows, Linux Panel-PC)

The A15-DITX panel PC can be used as powerful and fanless embedded Panel PC in production areas. Additional to this, the system is available with keyboard and touchpad. The chassis offers an additional free slot.

A15-iTFT (Display)

The A15-iTFT display can be used as remote solution with an [IPC](#). A range extender solution as well as an integrated keyboard and touchpad can be used.

22.07.02024

Ludwig-Rinn-Straße 10-14 • D-35452 Heuchelheim/Gießen Germany

Phone: +49 (0) 641-96284-0 • Fax: +49 (0) 641-96284-28 • info@tci.de • www.tci.de



connecting people with technology

Technical data

- 15" TFT, 1024 x 768, 450 cd/m²
- analog resistive touchscreen
- milled aluminium front IP65, customized design and stainless steel upon request
- optionally keyboard and touchpad (German and English layout)
- steel chassis
- individual technical equipment by request
- working temperature: 0 up to 50° C
- storage temperature: -20 up to 60° C
- relative humidity: 5 up to 90 %, not condensing
- power input:
 - A15-DITX-EP / A15-LX-PC: 24 VDC or 230 VAC
 - A15-LX-iTFT: 24 VDC
- weight: 4,8 kg

22.07.02024

Ludwig-Rinn-Straße 10-14 • D-35452 Heuchelheim/Gießen Germany

Phone: +49 (0) 641-96284-0 • Fax: +49 (0) 641-96284-28 • info@tci.de • www.tci.de



connecting people with technology

Order info

A15-LX-PC	Panel PC, 15" touch resistive, tci-Baseboard Intel Atom "Apollo Lake" Dual Core CPU E3930, 2x 1,8GHz, Intel HD500, 4GB RAM, SSD, dual ethernet Optional: Board Mini-ITX up to Core i7
A15-DITX-EP	Panel PC for panel mounting, 15" touch resistive, Board Mini-ITX up to Core i7, HDD/SSD, HDD/SSD, one free slot
A15-iTFT	Panel Display, 15" touch resistive, interfaces VGA and DVI
Options	CPU upgrades from Intel Atom to current core technology, stainless steel front upon request, front with integrated touchpad and keyboard, 19" front 7U upon request
Customized	For other configurations please ask our system consultants
Operating systems	Windows 10 IoT LTSC 2021, others on request

22.07.2024

Ludwig-Rinn-Straße 10-14 • D-35452 Heuchelheim/Gießen Germany

Phone: +49 (0) 641-96284-0 • Fax: +49 (0) 641-96284-28 • info@tci.de • www.tci.de



connecting people with technology

Details



A15 with aluminium front, neutral or customized printing



A15-KB Touchpad



A15-KBs keyboard in foil surface offers an excellent cleaning also in difficult environments



A15-KB - Resitive touch and keyboard in IP65



A15-KB side view



A15-KB front meets the requirements of protection class
IP65



A15 stainless steel / VA

22.07.2024

Ludwig-Rinn-Straße 10-14 • D-35452 Heuchelheim/Gießen Germany

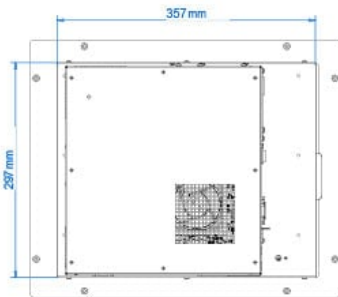
Phone: +49 (0) 641-96284-0 • Fax: +49 (0) 641-96284-28 • info@tci.de • www.tci.de



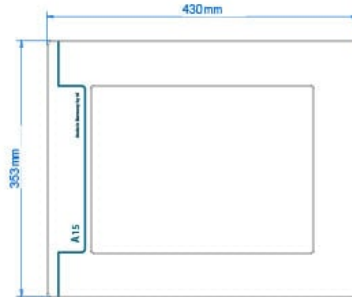
connecting people with technology

Technical Drawing

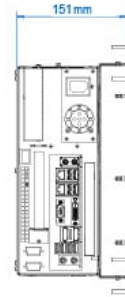
Rückansicht /
Rear view



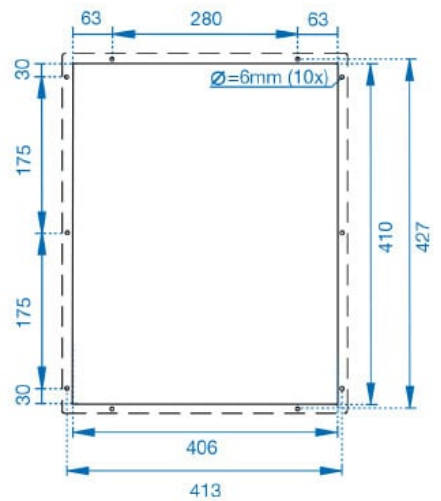
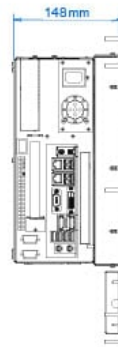
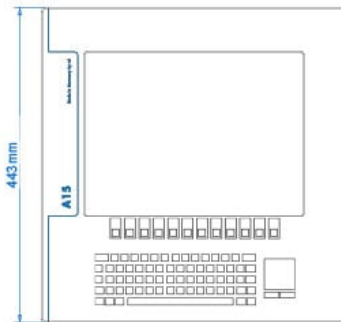
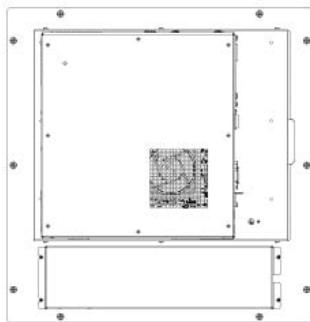
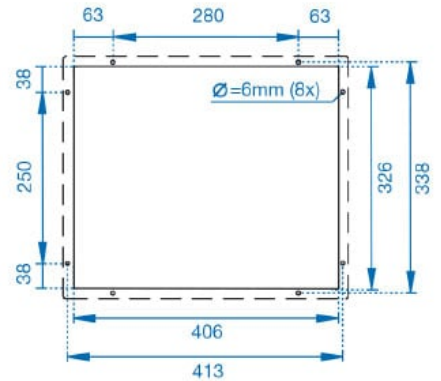
Frontansicht /
Front view



Seitenansicht /
Side view



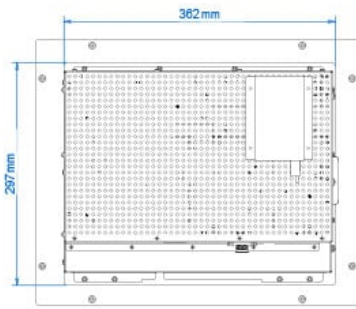
Einbaumaße /
Installation dimensions



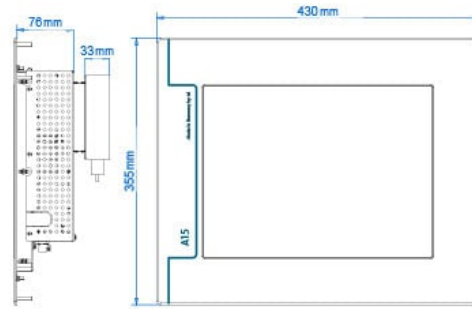
 Alle Angaben in Millimeter
All dimensions in millimeter

A15-DITX-EP
Rev. 1.1
07.07.2021

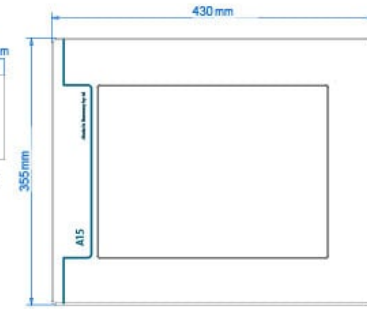
Rückansicht /
Rear view



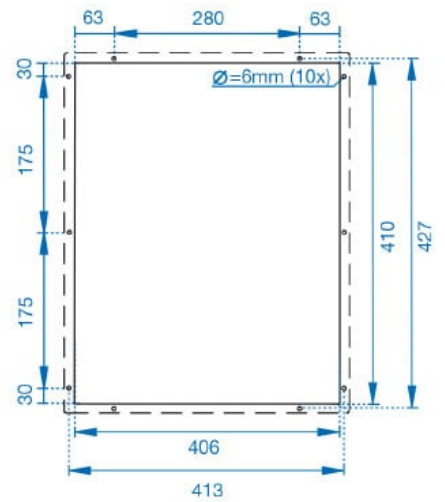
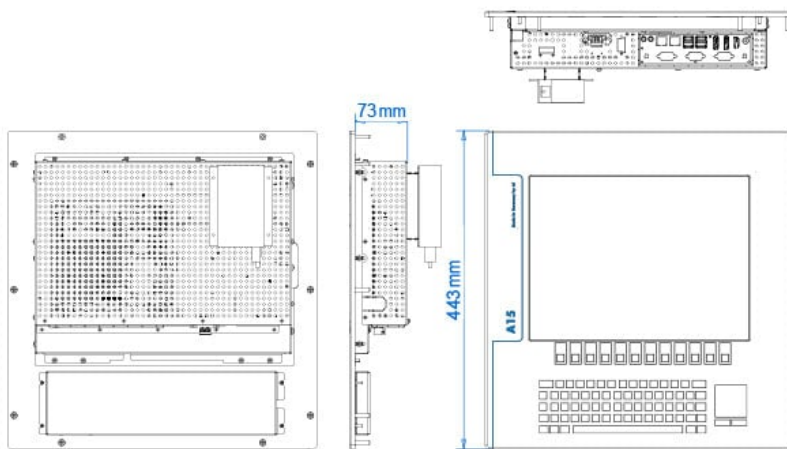
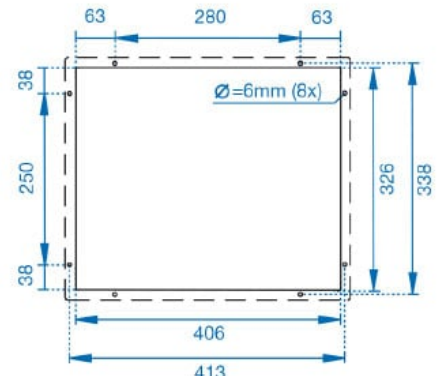
Seitenansicht /
Side view




Frontansicht /
Front view



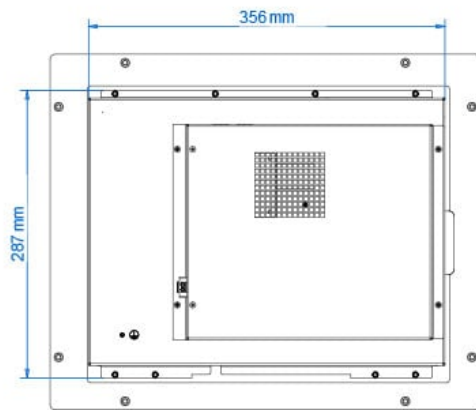
Einbaumaße /
Installation dimensions



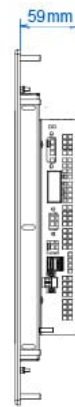
 Alle Angaben in Millimeter
All dimensions in millimeter

A15-PC-Mini-ITX
Rev. 1.1
07.07.2021

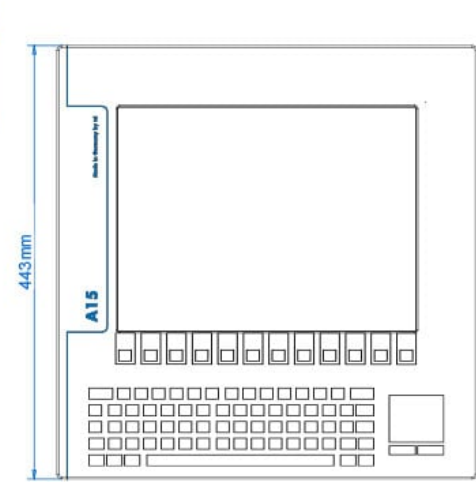
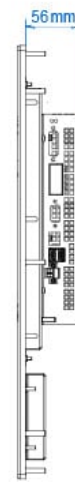
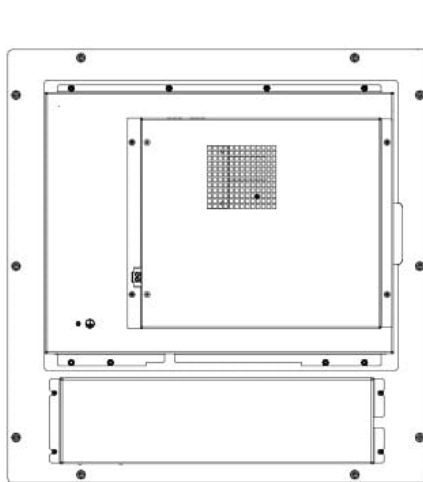
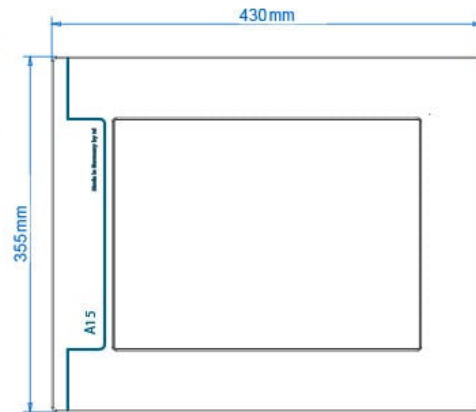
Rückansicht /
Rear view



Seitenansicht /
Side view



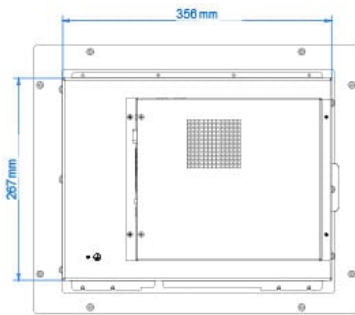
Frontansicht /
Front view



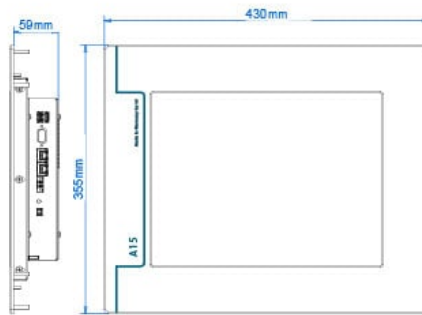
A15-iTFT
Rev. 1.1
07.07.2021

 Alle Angaben in Millimeter
All dimensions in millimeter

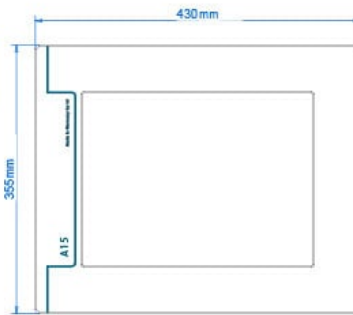
Rückansicht /
Rear view



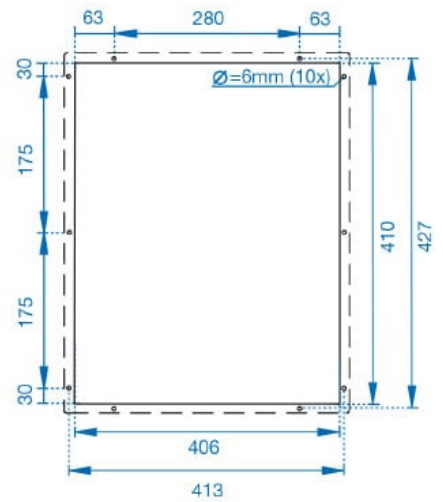
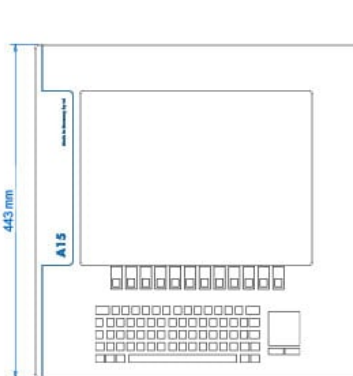
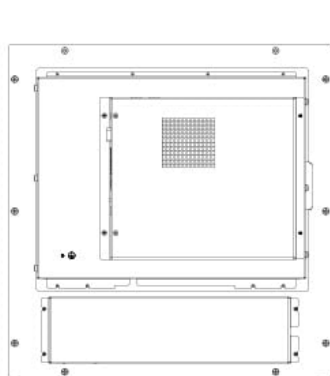
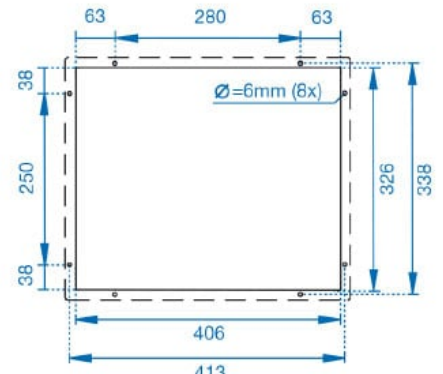
Seitenansicht /
Side view



Frontansicht /
Front view



Einbaumaße /
Installation dimensions



 Alle Angaben in Millimeter
All dimensions in millimeter

A15-LX-PC-PB3
Rev. 1.1
07.07.2021

22.07.2024

Ludwig-Rinn-Straße 10-14 • D-35452 Heuchelheim/Gießen Germany

Phone: +49 (0) 641-96284-0 • Fax: +49 (0) 641-96284-28 • info@tci.de • www.tci.de



connecting people with technology

Subject to change of design, construction and technical data without prior notice. Delivery possibilities, changes and errors excepted. Definitions of the performance data can be found at our homepage. All brand or product names are trademarks and/or registered trademarks of their respective owners. Unless expressly permitted, the rights are reserved. The screenshots in this document are simulated. The visualization software is not part of the system.

22.07.2024

Ludwig-Rinn-Straße 10-14 • D-35452 Heuchelheim/Gießen Germany

Phone: +49 (0) 641-96284-0 • Fax: +49 (0) 641-96284-28 • info@tci.de • www.tci.de



connecting people with technology